

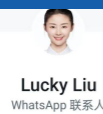


Noahgates

珞亚科技

National High-Tech Enterprise | Specialized And New Enterprises

Manufacturer Of Access Gates And Parking Lot Management Equipment



Lucky Liu

WhatsApp 联系人

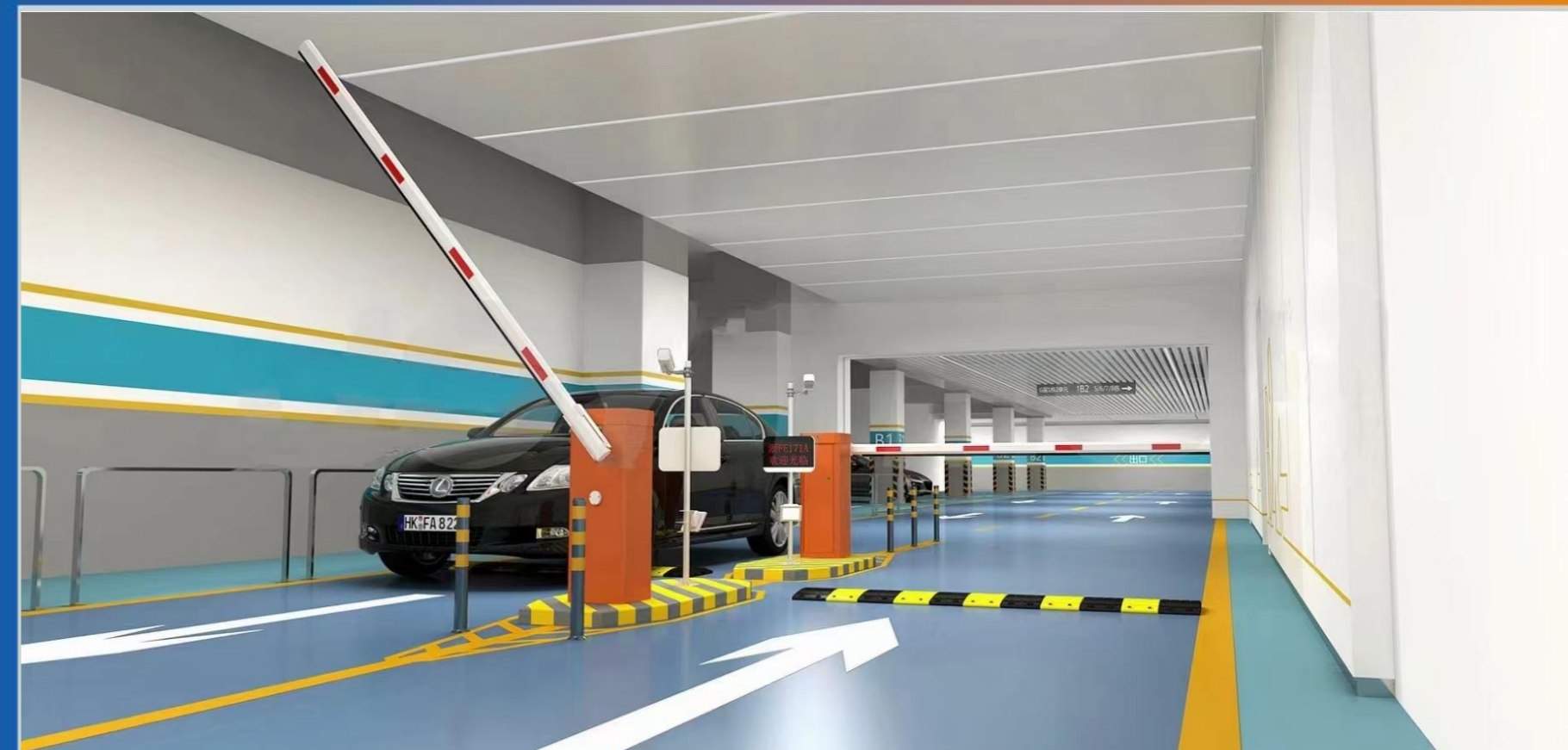
Noah Technology Co., Ltd

TEL: +86 131 6836 6292

Web: www.noahgates.com

E-mail: luckyliu@noahgates.com

ADD: Noah Industrial Park, Guanlan Street, Longhua, Shenzhen, Guang Dong, China .



License Plate Recognition System

The lane display screen can display the license plate, amount, balance, Chinese character information and voice prompts, etc., and also has functions such as controlling traffic lights.

Lane display screens are widely used in toll collection systems such as high-grade highway toll stations and parking lots.

JS51

Technical Parameters:

Product Size: 220*140*1400mm(L*W*H)

Input Voltage: DC12V54

LED Viewing Angle: $\pm 3g^{\circ} \times \pm 20$

Working Temperature: -20-65 $^{\circ}C$

Storage Temperature: -2065 $^{\circ}C$

Font Capacity: national standard level two font, maximum 16384 Chinese characters

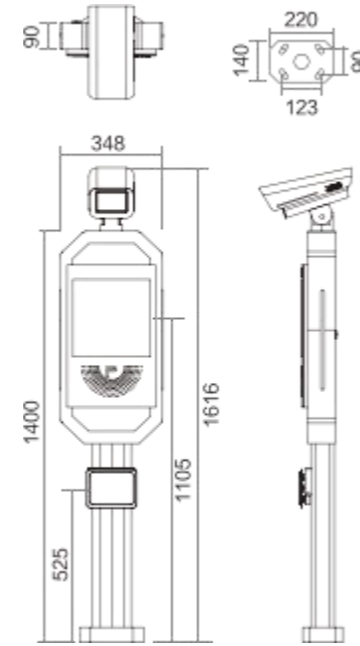
Text Display: automatic switching between horizontal and vertical display

Text Display Mode: upward movement, horizontal movement, fixed display, three-color display

Audio Output: real-person pronunciation voice broadcast

Data Communication: 485 communication circuit, industrial-grade lightning protection design

Protection Level: IP55



License Plate Recognition System

JS52

Technical Parameters:

Product Size: 255*340*1400mm(L*W*H)

Input Voltage: DC12V54

LED Viewing Angle: $\pm 3g^{\circ} \times \pm 20$

Working Temperature: -20-65 $^{\circ}C$

Storage Temperature: -2065 $^{\circ}C$

Font Capacity: national standard level two font, maximum 16384 Chinese characters

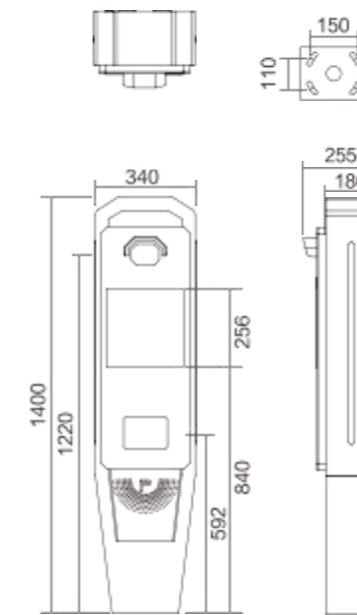
Text Display: automatic switching between horizontal and vertical display

Text Display Mode: upward movement, horizontal movement, fixed display, three-color display

Audio Output: real-person pronunciation voice broadcast

Data Communication: 485 communication circuit, industrial-grade lightning protection design

Protection Level: IP55



License Plate Recognition System

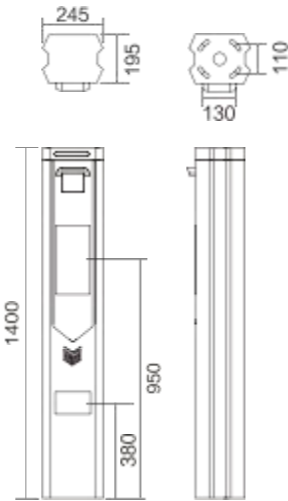
The lane display screen can display the license plate, amount, balance, Chinese character information and voice prompts, etc., and also has functions such as controlling traffic lights. Lane display screens are widely used in toll collection systems such as high-grade highway toll stations and parking lots.



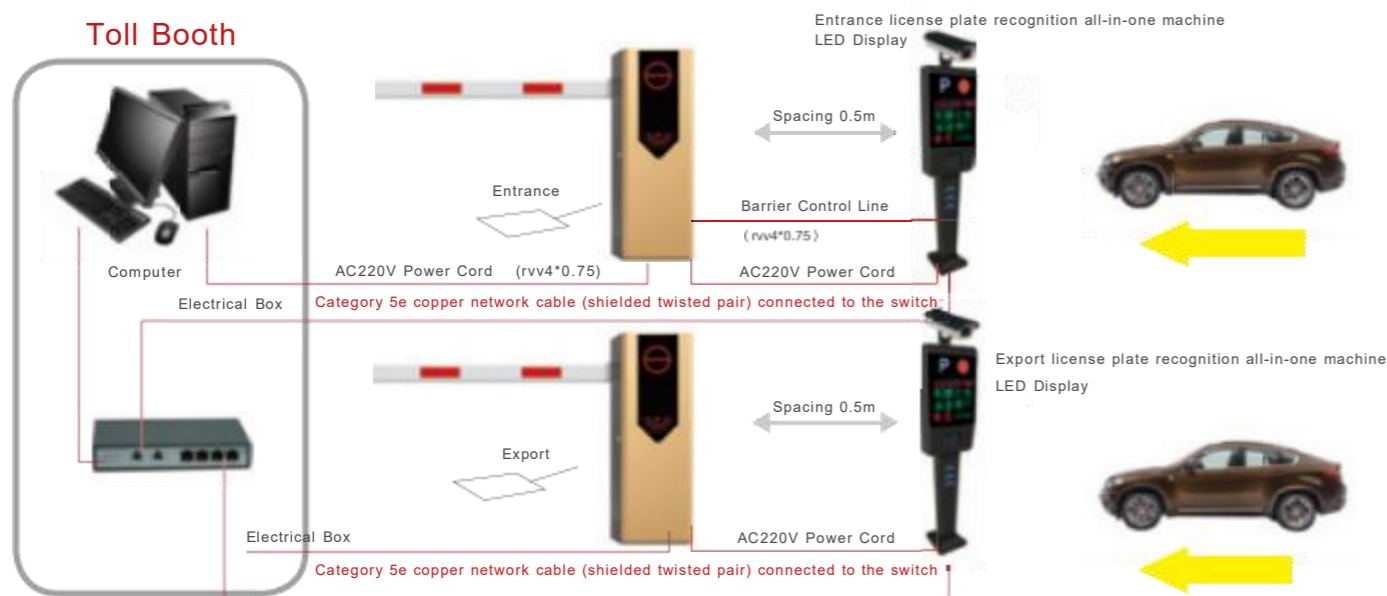
JS53

Technical Parameters:

- Product Size: 195*245*1400mm(L*W*H)
- Input Voltage: DC12V54
- LED Viewing Angle: $\pm 3g^{\circ} \times \pm 20$
- Working Temperature: $-20-65^{\circ}C$
- Storage Temperature: $-20-65^{\circ}C$
- Font Capacity: national standard level two font, maximum 16384 Chinese characters
- Text Display: automatic switching between horizontal and vertical display
- Text Display Mode: upward movement, horizontal movement, fixed display, three-color display
- Audio Output: real-person pronunciation voice broadcast
- Data Communication: 485 communication circuit, industrial-grade lightning protection design
- Protection Level: IP55



High Definition License Plate Recognition System Overview Diagram



License Plate Recognition System

Supporting Series:



Straight Pole Barrier (XJP01, XJP02 Optional)



Single Layer Fence (XJP01 or XJP02 Optional)



90° Crank Arm (XJP01 or XJP02 Optional)



180° Crank Arm (XJP01 or XJP02 Optional)

Technical Parameters:

- Product Size: 200*210/310*240mm(L*W*H)
- Input Voltage: DC12V54
- LED Viewing Angle: $\pm 3g^{\circ} \times \pm 20$
- Working Temperature: $-20-65^{\circ}C$
- Storage Temperature: $-20-65^{\circ}C$
- Font Capacity: national standard level two font, maximum 16384 Chinese characters
- Text Display: automatic switching between horizontal and vertical display
- Text Display Mode: upward movement, horizontal movement, fixed display, three-color display
- Audio Output: real-person pronunciation voice broadcast
- Data Communication: 485 communication circuit, industrial-grade lightning protection design
- Protection Level: IP55

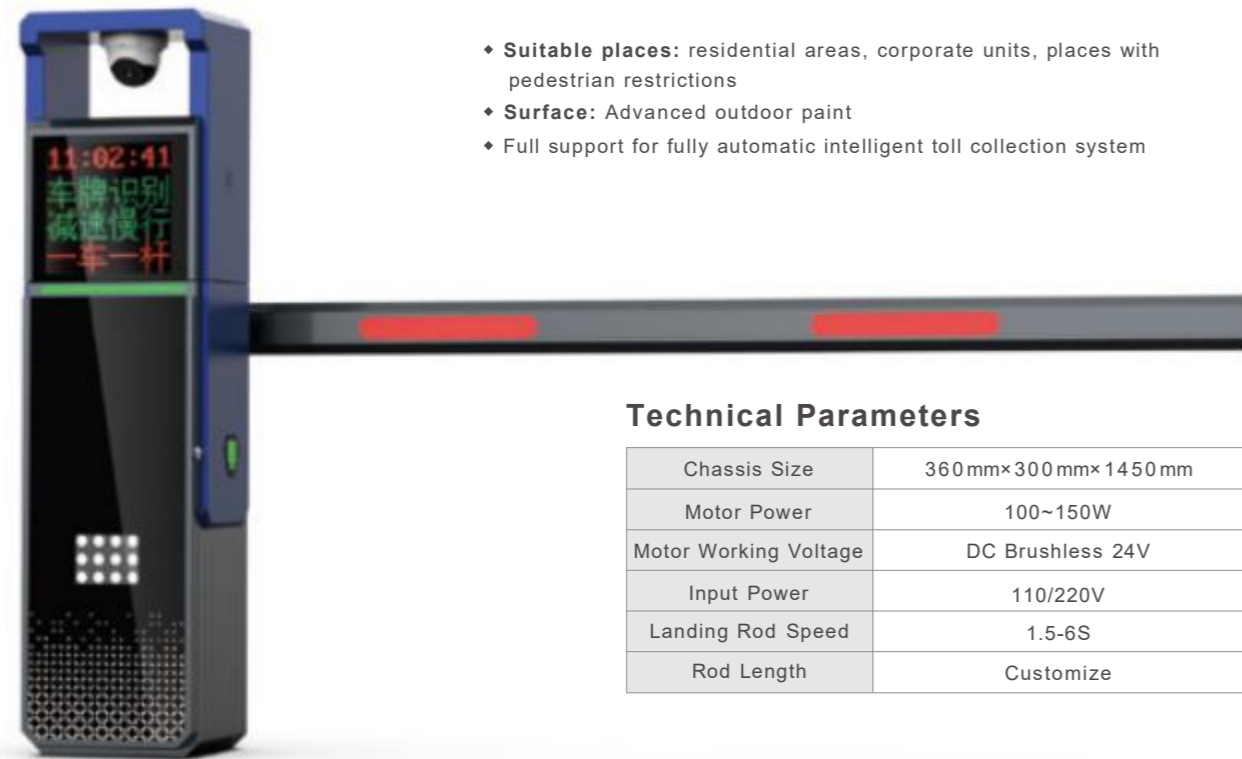


XJP01

XJP02



Advertising Barrier (XJP01 or XJP02 Optional)



- **Suitable places:** residential areas, corporate units, places with pedestrian restrictions
- **Surface:** Advanced outdoor paint
- Full support for fully automatic intelligent toll collection system

Technical Parameters

Chassis Size	360mm×300mm×1450mm
Motor Power	100~150W
Motor Working Voltage	DC Brushless 24V
Input Power	110/220V
Landing Rod Speed	1.5-6S
Rod Length	Customize

XJP03

Optional Gate Pole



180° Crank Arm



90° Crank Arm



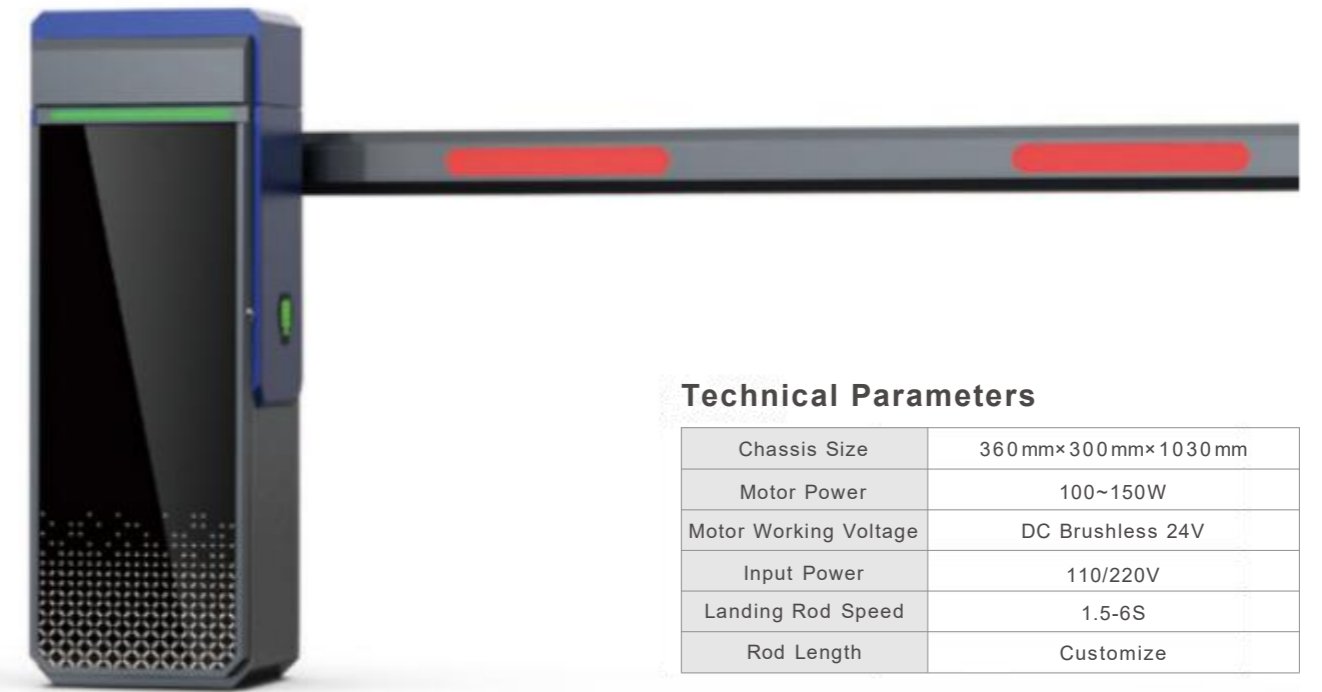
Single Layer Fence



XJD02

Technical Parameters:

- Working Voltage:** 220V+10%/50HZ
- Motor Power:** 180W~250W brushless motor
- Remote Control Distance:** ≤40 meters
- Number Of Advertising Panels:** determined by pole length
- Chassis Appearance Size:** 480mmX300mmX1200mm
- Rod Length:** 6 meters (special length can be customized)
- Height After Lifting The Pole:** Depends on the length of the pole
- Operating Environment Temperature:** -35C~+80°C
- Relative Humidity:** ≤95%
- Rod Lifting Time:** generally 5-6 seconds (special requirements can be customized)



Technical Parameters

Chassis Size	360mm×300mm×1030mm
Motor Power	100~150W
Motor Working Voltage	DC Brushless 24V
Input Power	110/220V
Landing Rod Speed	1.5-6S
Rod Length	Customize

XJD01

Brushless DC, Intelligent Control

- **Suitable places:** residential areas, corporate units, places with pedestrian restrictions
- **Surface:** Advanced outdoor paint
- Full support for fully automatic intelligent toll collection system



XJD01
90° Curved Arm Barrier Gate



XJD01
180° Curved Arm Barrier Gate



XJD01
Fence Gate



D002

High Performance Running Smoothly Silent Operation Intelligent Adjustment Protective Device Brushless DC Motor core Support Cloud Management

Technical Parameters:

Working Voltage: 220V+10%/50HZ

Motor Power: 180W~250W brushless motor

Operating Environment Temperature: -35C~+80°C

Relative Humidity: ≤95%

Rod Length: 5 meters (special length can be customized)

Number Of Advertising Panels: determined by pole length

Advertising Flap Size: 92.5mm×830mm

Light Box Screen Size: 390mm×920mm

Chassis Appearance Size: 460mm×370mm×1220mm

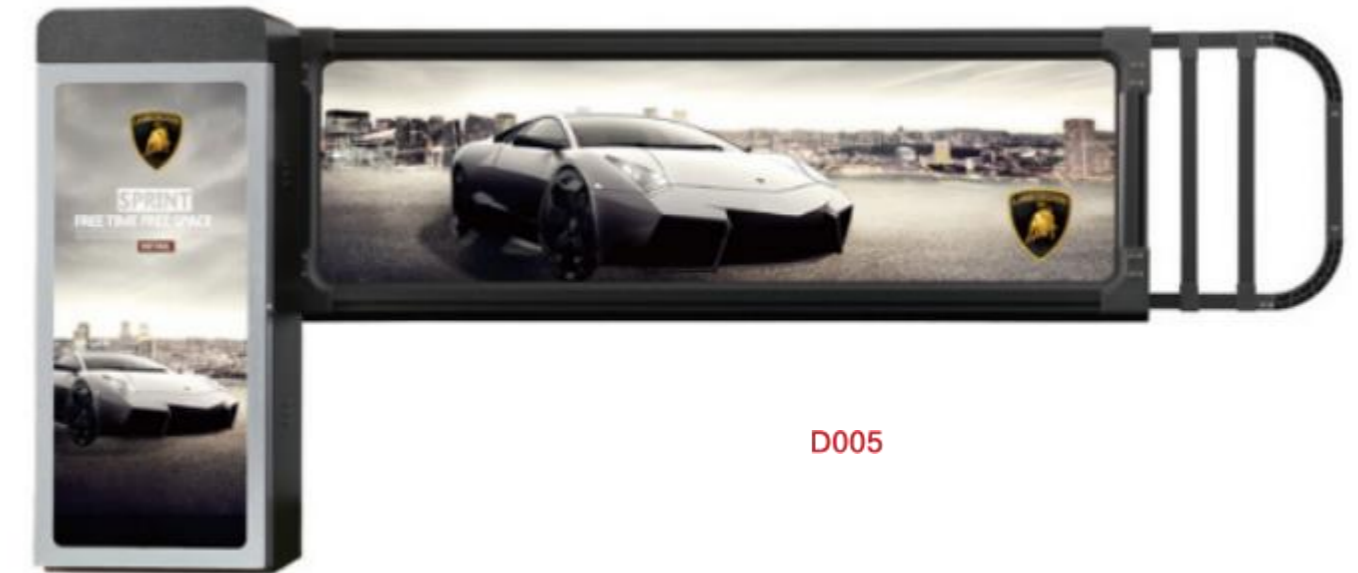
Upper Beam Center Height: 1050mm

Rod Lifting Time: generally 5-6 seconds (special requirements can be customized)

Remote Control distance: ≤40 meters

Input Interface: +12V level signal or pulse signal greater than 100ms, driving current less than 10mA

Barrier Color: silver gray (can be customized)



D005

High Performance Running Smoothly Silent Operation Intelligent Adjustment Protective Device Brushless DC Motor core Support Cloud Management

Technical Parameters:

Working Voltage: 220V+10%/50HZ

Motor Power: 140W~200W

Operating Environment Temperature: -35C~+80°C

Relative Humidity: within 95% (no condensation)

Rod Length: 4.2 meters

Advertising Flap Size: 2150mm×500mm

Light Box Screen Size: 400mm×945mm

Chassis Appearance Size: 480mm×320mm×1150mm

Upper Beam Center Height: Depends on rod length

Rod Lifting Time: generally 2.5-6 seconds

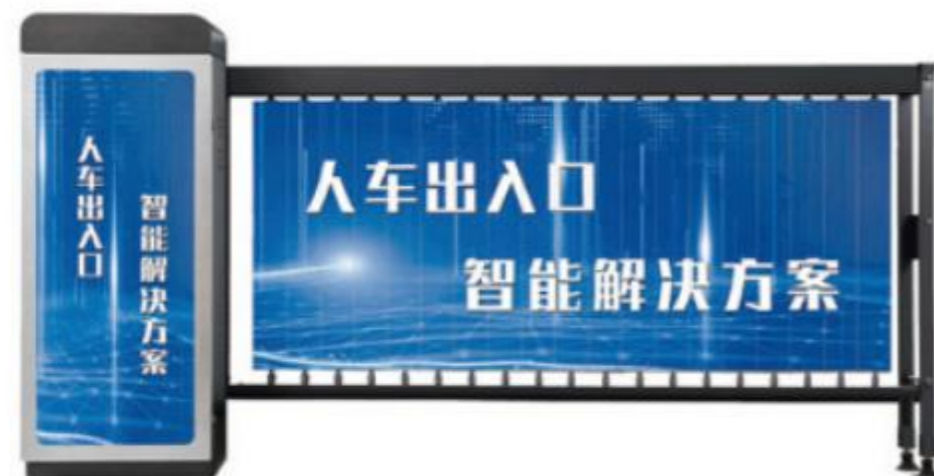
Remote Control distance: ≤50 meters

Input Interface: +12V level signal or pulse signal greater than 100ms, driving current less than 10mA

Barrier Color: silver gray, yellow gray (can be customized)



D003



D004

High Performance Running Smoothly Silent Operation Intelligent Adjustment Protective Device Brushless DC Motor core Support Cloud Management

Technical Parameters:

Working Voltage: 220V+10%/50HZ

Motor Power: 180W~250W brushless motor

Operating Environment temperature: -35C~+60°C

Relative Humidity: within 95% (no condensation)

Rod Length: 3.83 meters

Number Of Advertising Panels: determined by pole length

Advertising Flap Size: 92.5mm×750mm (JS-D003)

92.5mm×660mm (JS-D004)

Light Box Screen Size: 345mm×915mm (JS-D003)

345mm×915mm (JS-D004)

Chassis Appearance Size: 420mm×320mm×1150mm(JS-D003)

420mm×320mm×1100mm(JS-D004)

LED Light Strip power: 16.7A200B

Rod Lifting Time: 2.5-6 seconds

Remote Control Distance: ≤40 meters

Input Interface: +12V level signal or pulse signal greater than 100ms, driving current less than 10mA

Barrier Color: silver gray, yellow gray (can be customized)



D006

High Performance Running Smoothly Silent Operation Intelligent Adjustment Protective Device Brushless DC Motor core Support Cloud Management

Technical Parameters:

Chassis Appearance Size: 480mm×320mm×1150mm

Working Voltage: 220V+10%/50HZ

Motor Power: 250W DC brushless

Operating Environment Temperature: -35C~+80°C

Relative Humidity: ≤95%

Rod Length: ≤6 meters

Rod Lifting Time: 6 seconds

Number Of Advertising Panels: determined by pole length

Chassis Appearance Size: 480mm×320mm×1150mm

Working Voltage: 220V+10%/50HZ

Motor Power: 250W DC brushless

Operating Environment Temperature: -35C~+80°C

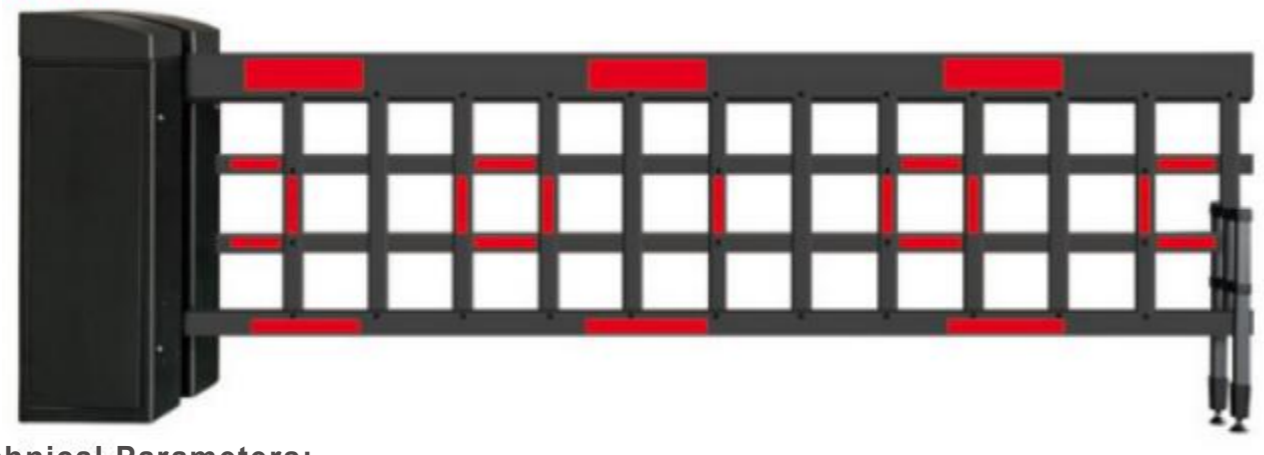
Relative Humidity: ≤95%

Rod Length: ≤6 meters

Rod Lifting Time: 6 seconds

Number Of Advertising Panels: determined by pole length

SJM01

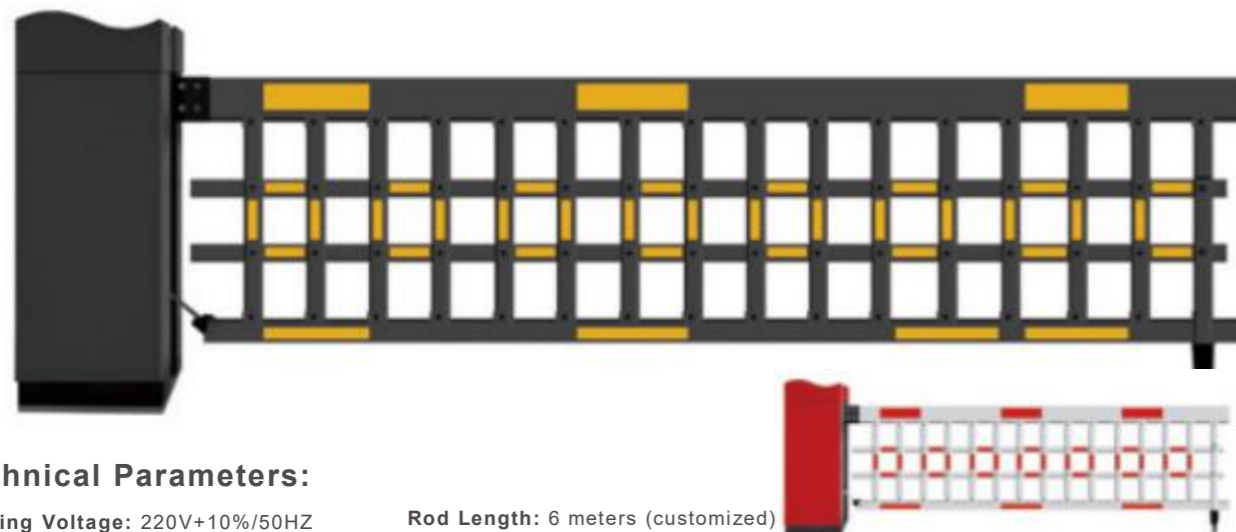


Technical Parameters:

Working Voltage: 220V+10%/50HZ
Airborne Pole: 4-layer double spring feet
Remote Control distance: ≤40 meters
Motor Power: 180W~250W brushless motor
Chassis Appearance Size: 460mmX370mmX1220mm

Rod Length: 6 meters (special length can be customized)
Operating Environment Temperature: -35C~+80°C
Relative Humidity: ≤95%
Rod Lifting Time: generally 5-6 seconds (customized)
Barrier Color: silver gray (can be customized)
Gate Color: blue and white/yellow and white/red and white

SJM02

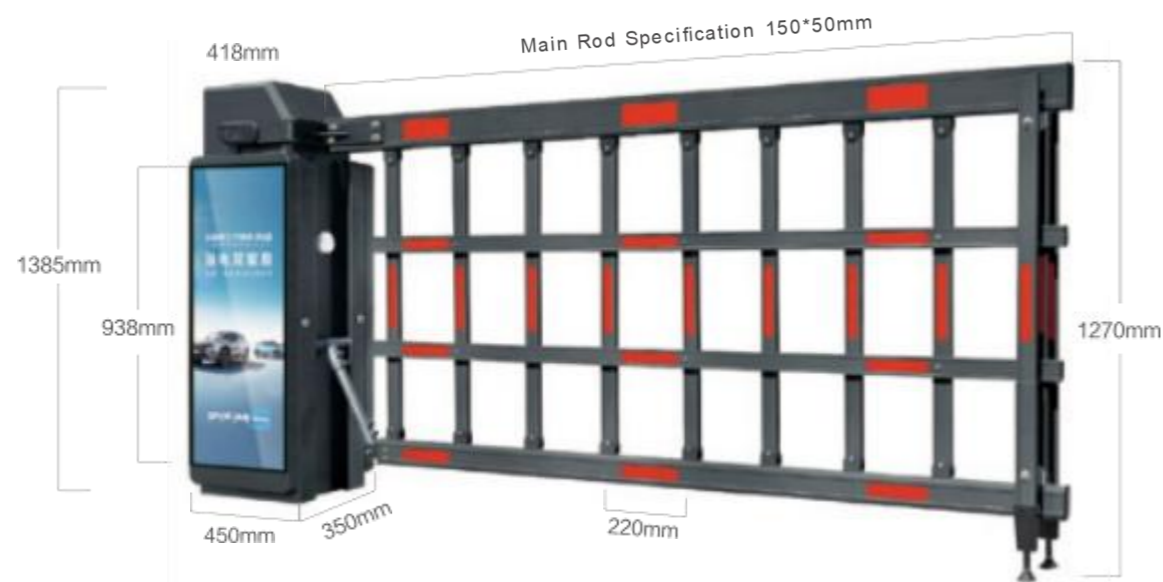


Technical Parameters:

Working Voltage: 220V+10%/50HZ
Airborne Pole: 4-layer double spring feet
Remote Control Distance: ≤40 meters
Motor Power: 180W50W brushless motor

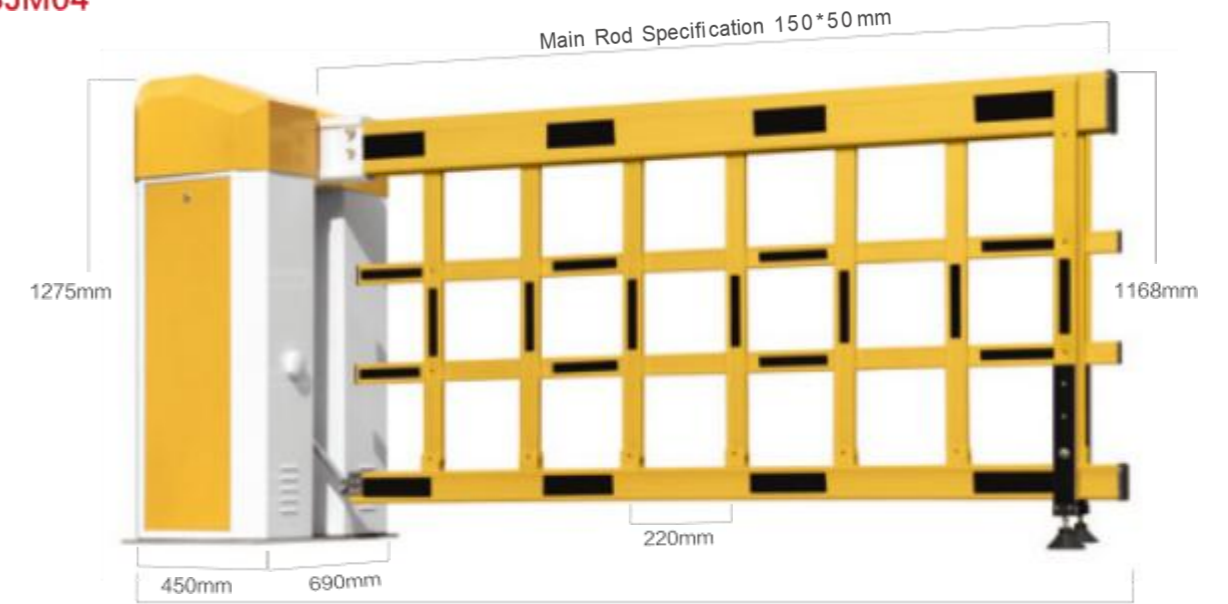
Rod Length: 6 meters (customized)
Relative Humidity: ≤95%
Operating Environment Temperature: -35C~+80°C
Chassis Appearance Size: 670mmX480mmX1300mm

SJM03



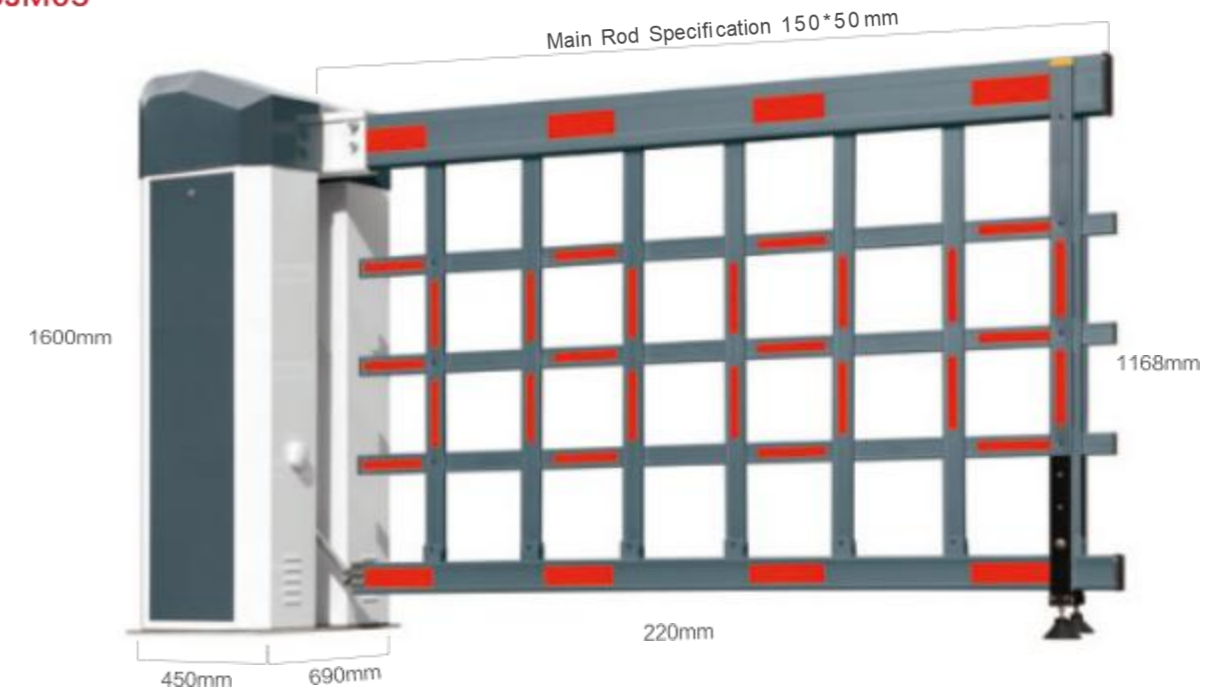
Arm Length=Chassis Dimension - 300MM

SJM04



Arm Length=Chassis Dimension - 300MM

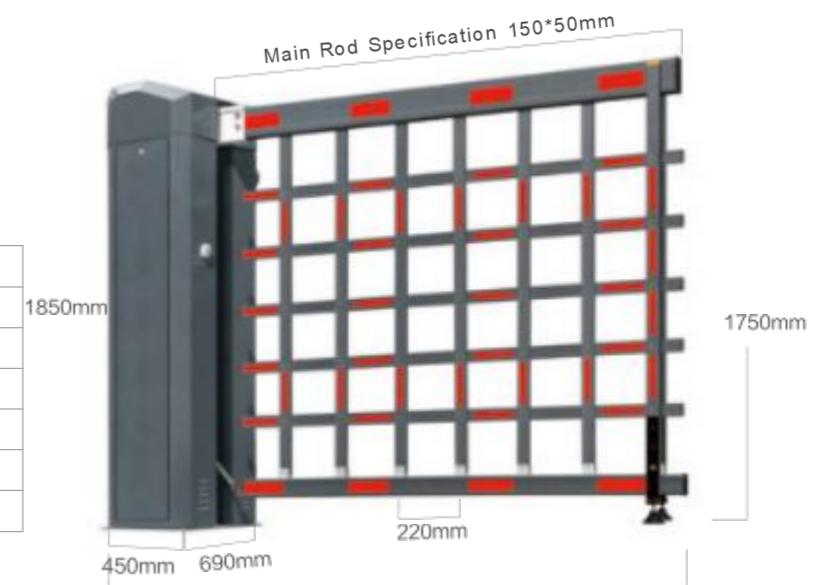
SJM05



Arm Length=Chassis Dimension - 300MM

SJM06

Gate Lever Lifting Speed	3~6 Seconds
Motor Power	100~150W
Input Power	110/220V
Working Principle	Worm drive
Gate Lever Length	Customizable
Operating Temperature	-45±65°C
Working Humidity	5%-95%



Arm Length=Chassis Dimension - 300MM

Gate Rod Colors Available: yellow-black, gray-red, yellow-white



DZ001

Technical Parameters

Chassis Size	320 mm×280 mm×980 mm
Motor Power	100~150W
Motor Working Voltage	DC Brushless 24V
Input Power	110/220V
Landing Rod Speed	1.5-6S
Rod Length	Customize

- ◆ **Suitable places:** residential areas, corporate units, places with pedestrian restrictions
- ◆ **Surface:** Advanced outdoor paint
- ◆ Full support for fully automatic intelligent toll collection system



DZ002

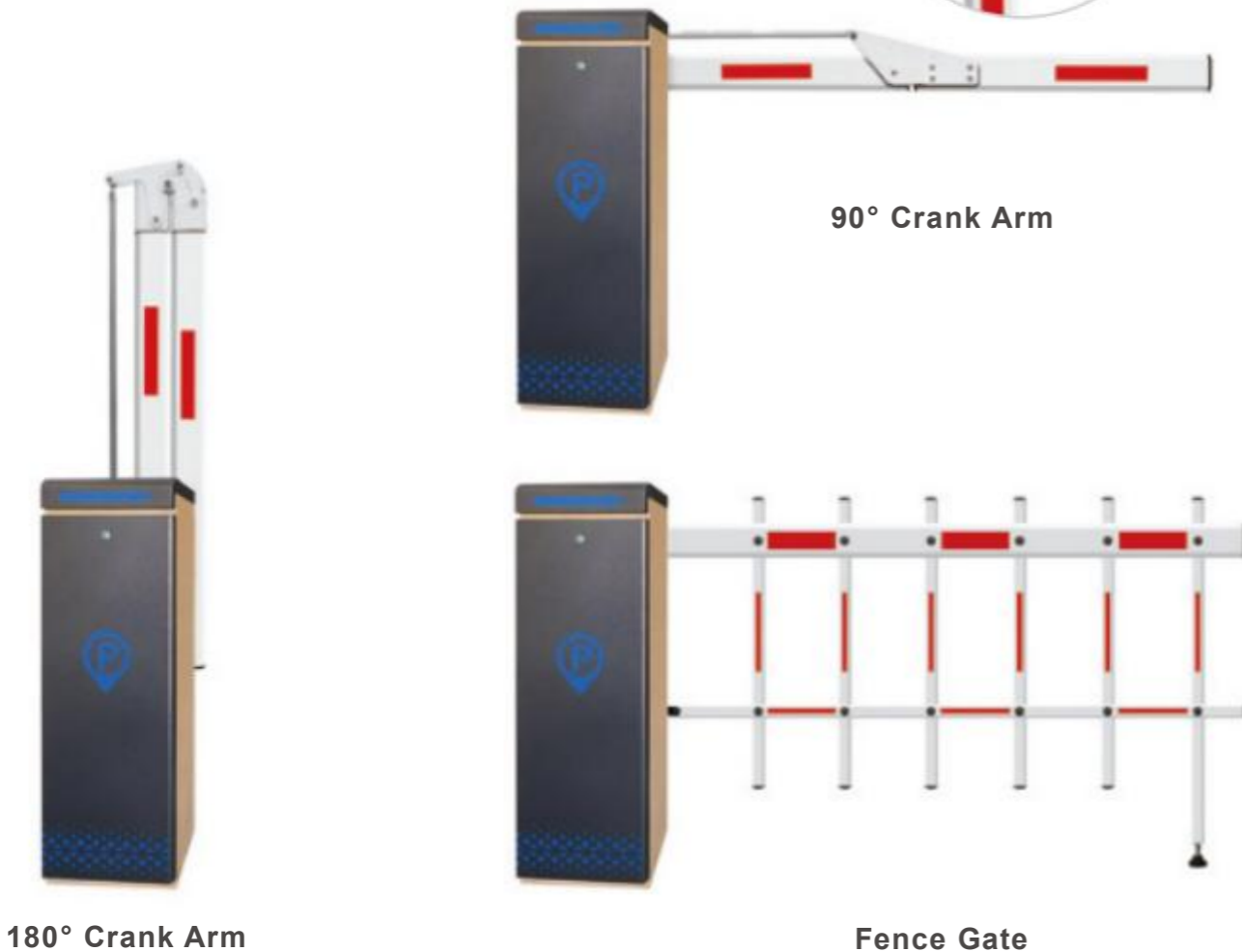
Technical Parameters

Chassis Size	330 mm×280 mm×1020 mm
Motor Power	100~150W
Motor Working Voltage	DC Brushless 24V
Input Power	110/220V
Landing Rod Speed	1.5-6S
Rod Length	Customize

- ◆ **Suitable places:** residential areas, corporate units, places with pedestrian restrictions
- ◆ **Surface:** Advanced outdoor paint
- ◆ Full support for fully automatic intelligent toll collection system

Brushless DC, Intelligent Control

- ◆ Appearance design, unique
- ◆ Equipped with practical systems and durable
- ◆ Adjustable left and right/just add holes to install crank arm rods and fences
- ◆ The fence can be up to 6 meters long, and the straight pole or curved arm can be up to 6 meters long.



180° Crank Arm

90° Crank Arm

Fence Gate

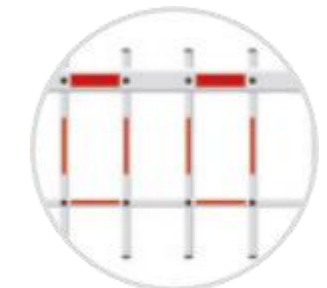
Optional Gate Pole



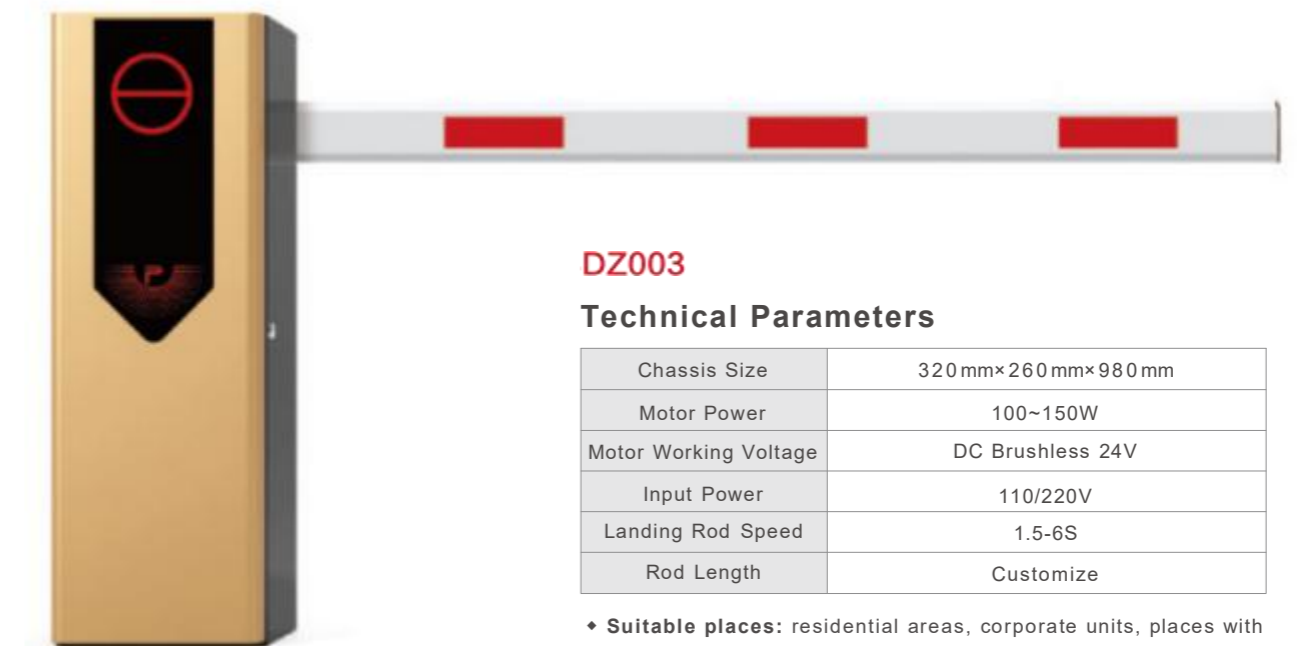
180° Crank Arm



90° Crank Arm



Fence Gate



DZ003

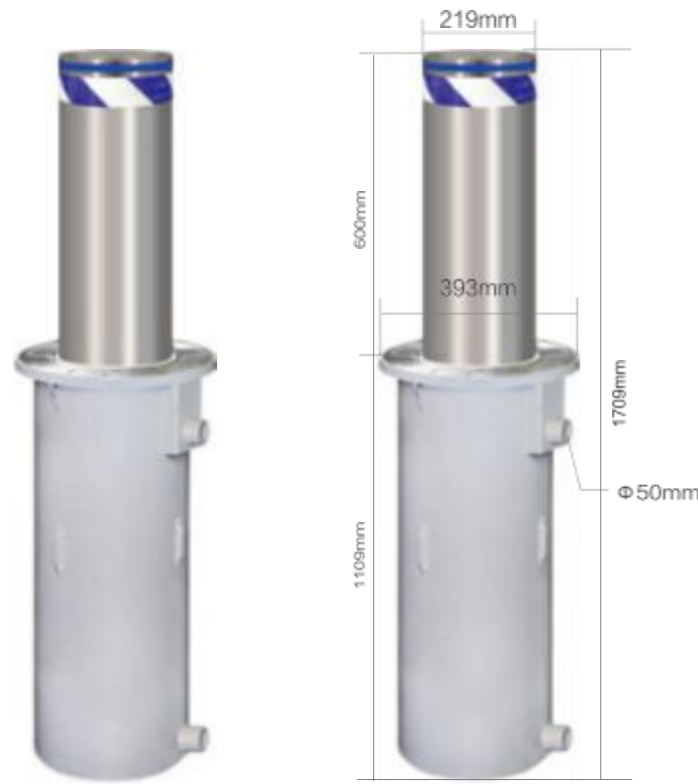
Technical Parameters

Chassis Size	320 mm×260 mm×980 mm
Motor Power	100~150W
Motor Working Voltage	DC Brushless 24V
Input Power	110/220V
Landing Rod Speed	1.5-6S
Rod Length	Customize

- ◆ **Suitable places:** residential areas, corporate units, places with pedestrian restrictions
- ◆ **Surface:** Advanced outdoor paint
- ◆ Full support for fully automatic intelligent toll collection system

Fully automatic Rising Bollards

Shallow buried Rising Bollards



SJZ001

Features:

- Can be used normally after withstanding the passage of a 100-ton vehicle .
- Waterproof grade P68, it can still be used normally even after being soaked in water.
- The structure is sturdy and durable, the outlet and drain outlet are made of 4m thick carbon steel, and the outer barrel is designed with 4 welding bars .
- Using 5CM bright reflective film, the reflectivity is over 90% .
- Optional high-brightness LED warning light bar can effectively enhance the nighttime warning effect .
- The panel adopts anti-slip pattern design, and the thickness is optional 10mm/6mm .
- The top of the column is 10mm/6mm thick, and non-standard support is accepted for customization. The diameter, thickness, height, appearance, speed, etc. of the lifting column can be customized.
- The lifting can be controlled in conjunction with other equipment such as license plate recognition, barrier gates, access control, infrared, radar, ground sensing, traffic light tidal lanes, fire alarm systems, etc .
- Supports the cloud platform management system to control the lifting column, and combines the mobile APP to remotely control the rise and fall of the lifting column .

Application Scenarios:

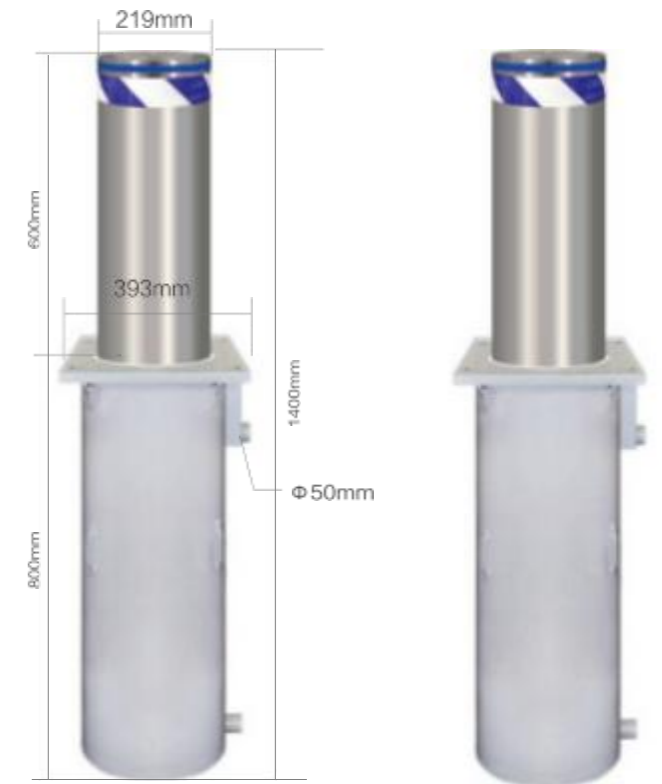
Traffic light intersection/subway property/government unit/real estate company/gas company/shopping mall supermarket/entertainment venue/farmer's market/hotel KTV! Cultural town/tourist attraction/sports venue/road isolation/tidal lane/border intersection/chemical plant/parking lot /Industrial Park/Villa Area/Pedestrian Street/Checkpoint/Oil Station/Power Plant/Water Plant/Hospital/Prison/School

Features:

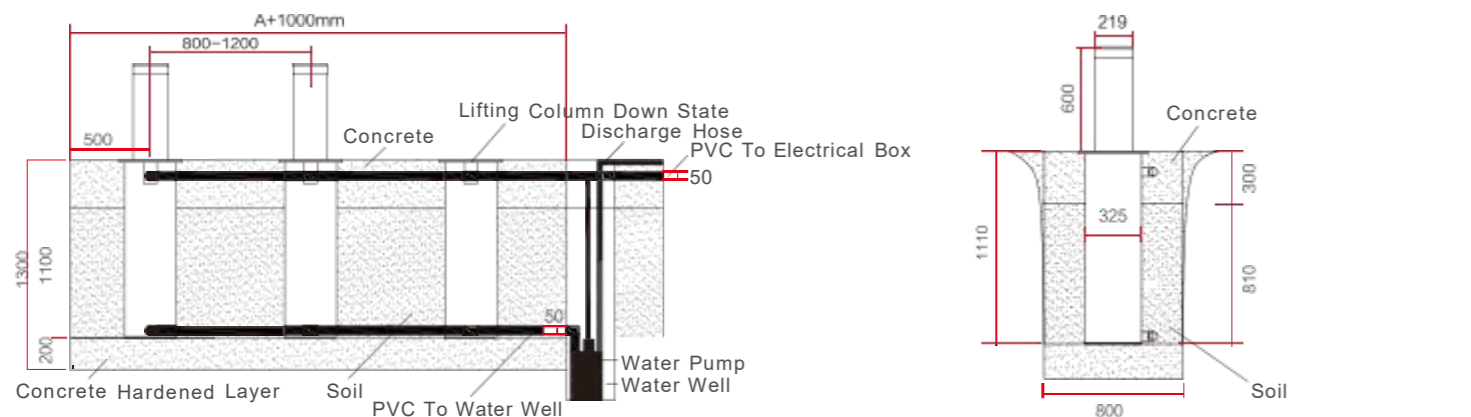
- Can be used normally after withstanding the passage of a 100-ton vehicle .
- Waterproof grade P68, it can still be used normally even after being soaked in water.
- The structure is sturdy and durable, the outlet and drain outlet are made of 4m thick carbon steel, and the outer barrel is designed with 4 welding bars .
- Using 5CM bright reflective film, the reflectivity is over 90% .
- Optional high-brightness LED warning light bar can effectively enhance the nighttime warning effect .
- The panel adopts anti-slip pattern design, and the thickness is optional 10mm/6mm .
- The top of the column is 10mm/6mm thick, and non-standard support is accepted for customization. The diameter, thickness, height, appearance, speed, etc. of the lifting column can be customized.
- The lifting can be controlled in conjunction with other equipment such as license plate recognition, barrier gates, access control, infrared, radar, ground sensing, traffic light tidal lanes, fire alarm systems, etc .
- Supports the cloud platform management system to control the lifting column, and combines the mobile APP to remotely control the rise and fall of the lifting column .

Application Scenarios:

Traffic light intersection/subway property/government unit/real estate company/gas company/shopping mall supermarket/entertainment venue/farmer's market/hotel KTV! Cultural town/tourist attraction/sports venue/road isolation/tidal lane/border intersection/chemical plant/parking lot /Industrial Park/Villa Area/Pedestrian Street/Checkpoint/Oil Station/Power Plant/Water Plant/Hospital/Prison/School

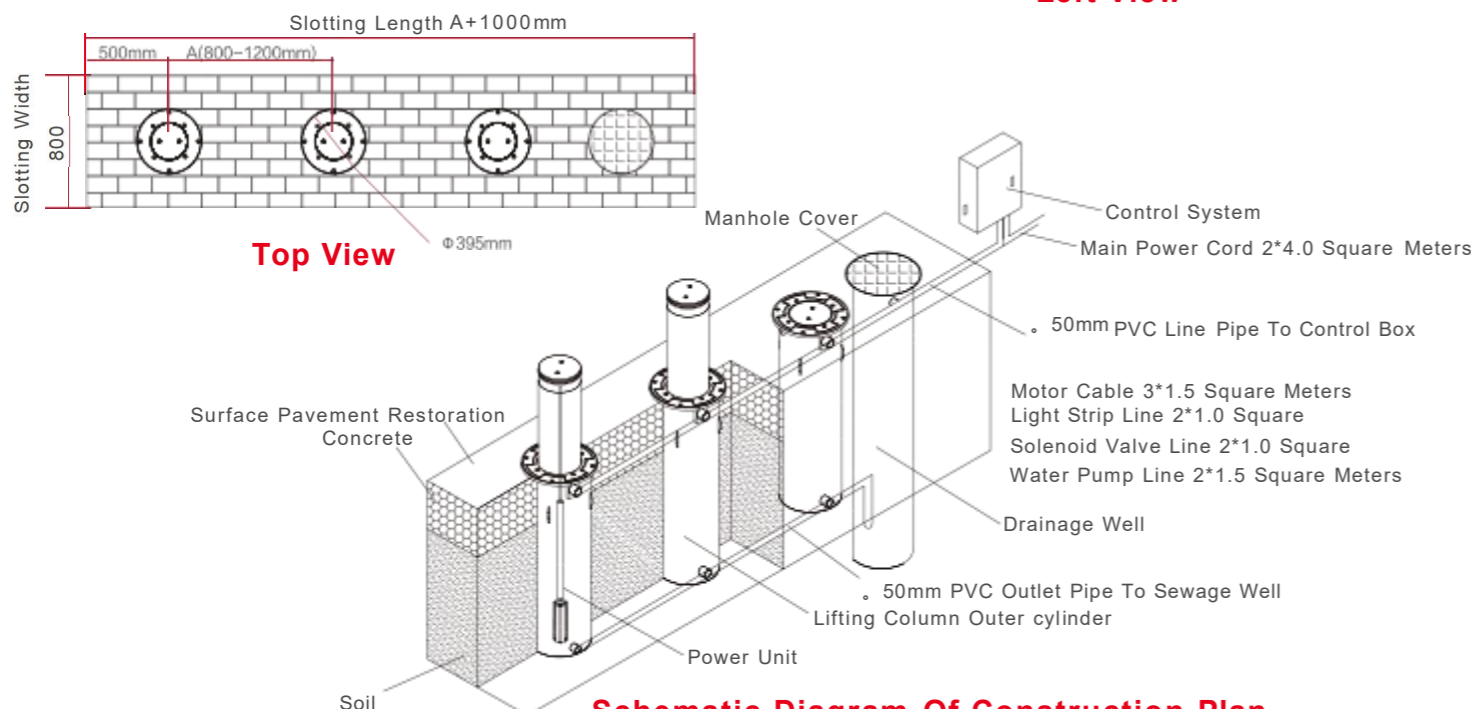


SJZ002

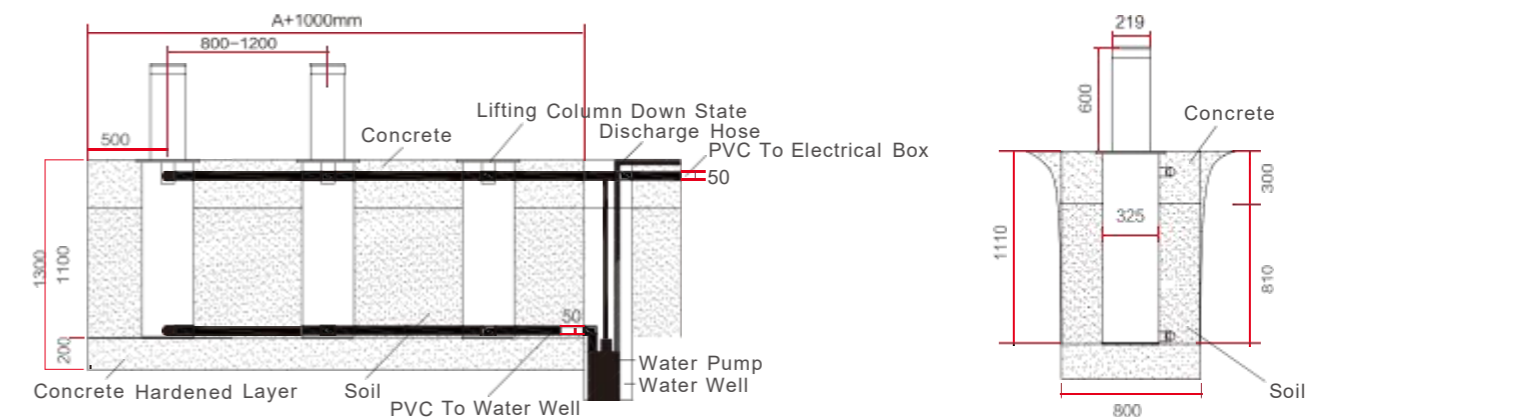


Main View

Left View

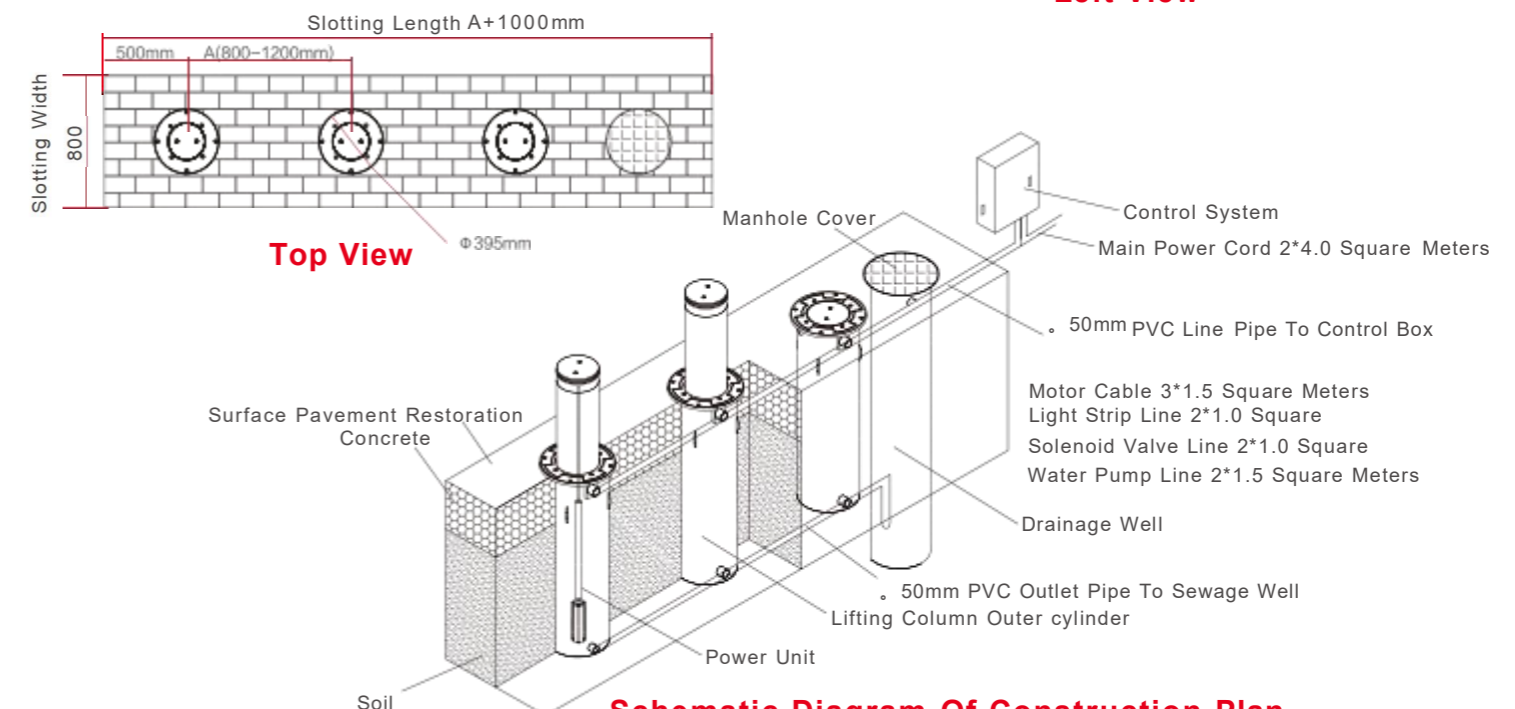


Schematic Diagram Of Construction Plan



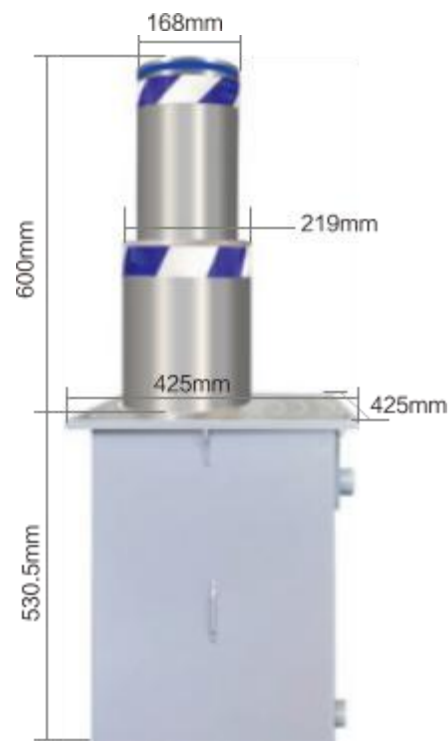
Main View

Left View



Schematic Diagram Of Construction Plan

Full Automatic Retractable Rising Bollards



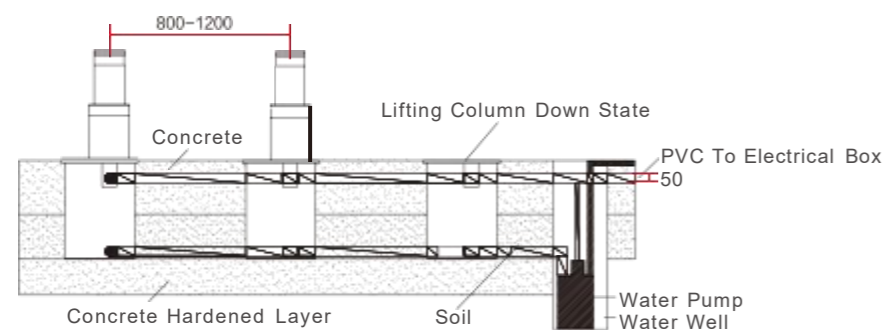
JS-SJZ003

Features:

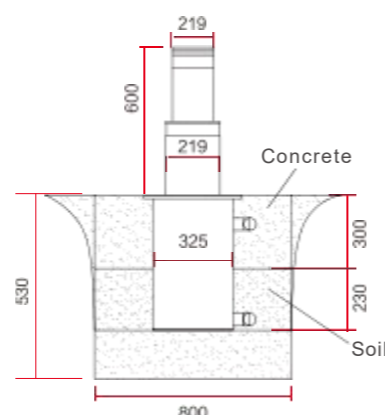
- Can be used normally after being hit by a vehicle carrying 8 tons;
- Can be used normally after withstanding the passage of a 100-ton vehicle;
- Waterproof grade P68, it can still be used normally even after being soaked in water;
- Sturdy and durable structure, large load-bearing capacity, smooth movement and low voice;
- Using microcontroller control, the system operation performance is stable and reliable, and easy to integrate;
- The lifting can be controlled in conjunction with other equipment such as license plate recognition, barrier gates, access control, infrared, radar, ground sensing, traffic light tidal lanes, fire alarm systems, etc.;
- In the event of a power outage or malfunction, if the lifting column needs to be lowered when it is raised, the column can be lowered to the ground level through the button on the control box;
- Using 5CM wide reflective film, the reflectivity can reach more than 90%;
- The lifting column is equipped with a high-brightness LED warning light bar as standard, which effectively improves the warning effect at night. The control box system has a full light time control program that can set the lighting time;
- Adopting internationally leading hydraulic drive technology, the entire system is highly safe, reliable and stable;
- Remote control device: Through wireless remote control, the lifting and lowering of road piles can be controlled remotely within a range of about 30 meters around the controller (depending on the radio communication environment on site);
- The panel adopts anti-slip pattern design, with optional thickness of 10mm/6mm; the top of the column is 10mm/6mm thick;
- Accept non-standard customization. The overall diameter, thickness, height, appearance, speed, etc. of the lifting column can be customized.

Application Scenarios:

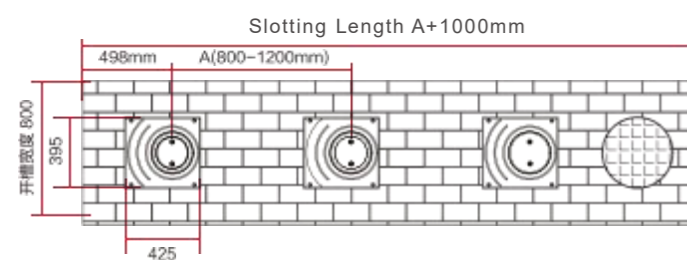
Traffic light intersection/subway property/government unit/real estate company/gas company/shopping mall supermarket/entertainment venue/farmer's market/hotel KTV! Cultural town/tourist attraction/sports venue/road isolation/tidal lane/border intersection/chemical plant/parking lot /Industrial Park/Villa Area/Pedestrian Street/Checkpoint/Oil Station/Power Plant/Water Plant/Hospital/Prison/School



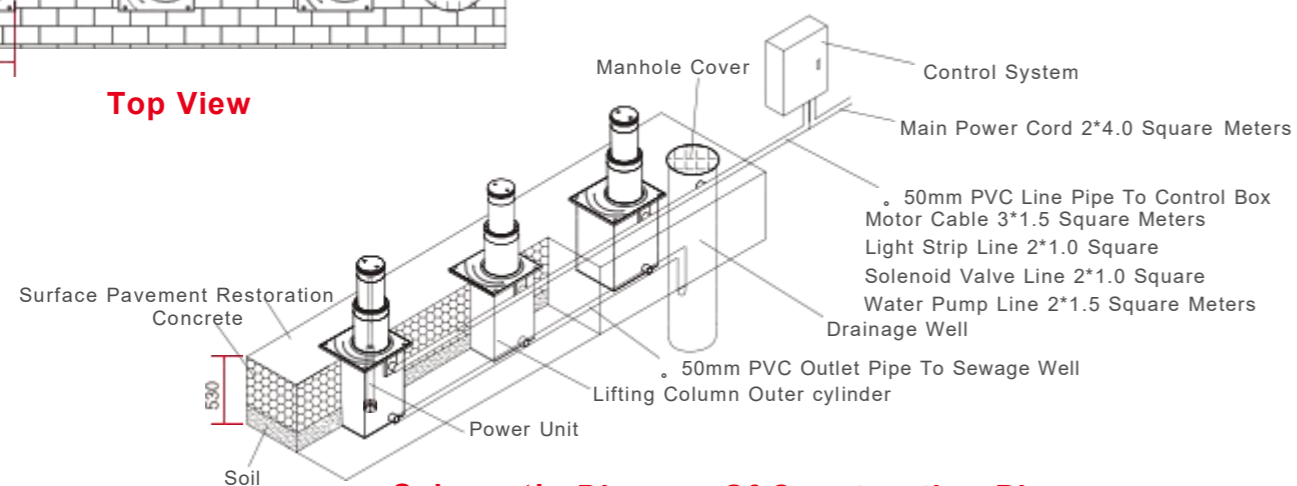
Main View



Left View



Top View



Schematic Diagram of Construction Plan

Luxury Intelligent Rising Bollards For Villa Scenic Area

Technical Parameters:

- Cylinder Size: length 280mm*width 280mm
- Cylinder Height: 600mm
- Cylinder Thickness: 6mm
- Interception Method: automatic lifting
- Cylinder Material: 304 stainless steel + acrylic light box
- Integrated Logo: ultra-high brightness LED light bar and advertising light box
- Waterproof Grade: Ip68
- Operating Temperature: -35C~75C
- Pre-embedded Specifications: length 400mm*width 400mm*depth 800mm

Application Scenarios:

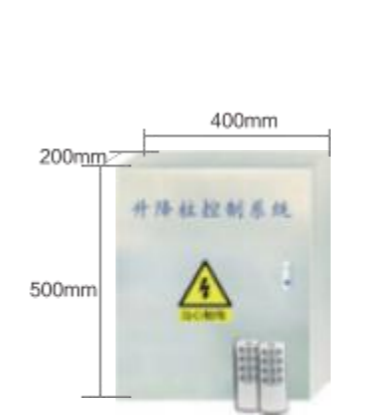
Villa/scenic spot/cultural town/commercial plaza



SJZ005
Villa Scenic Area
Lifting Column



SJZ006
Villa Scenic Area
Lifting Column



KSJZ001
Outdoor Waterproof
Control Box System



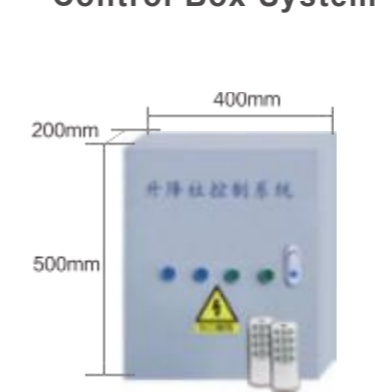
SJZ007
Movable Column



SJZ008
Fixed Column



SJZ009
Advertising Light
Box Fixed Column



KSJZ002
Standard Control
Box System



SJZ010
Villa Scenic Area
Lifting Column



SJZ011
Villa Scenic Area
Lifting Column



SJZ012
Villa Scenic Area
Lifting Column

Advertising Gate



Standard Advertising Door
GGM00



Standard Advertising Door With Guardrail
GGM00



Standard Fence Gate
ZLM001



Fence Gate With Guardrail
ZLM001



Double Magnetic Lock Advertising Door
GGM002



Double Magnetic Lock Fence Gate
ZLM002

Advertising Gate



One-Way Face Recognition Fence Gate
ZLM003



One-Way Face Recognition Advertising Door
GGM003



Two-Way Face Recognition Fence Gate
GGM004



Two-Way Face Recognition Advertising Door
ZLM004

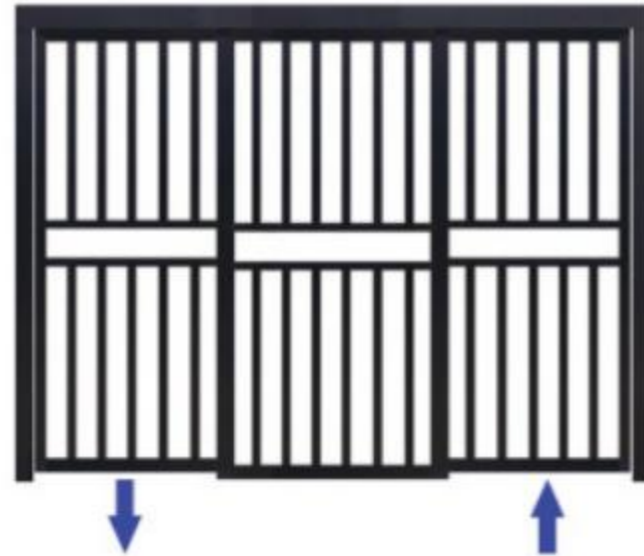
Technical Parameters:

- ◆ Working Voltage: 220V+10%/50HZ
- ◆ Input Voltage: DC24V
- ◆ Operating Environment Temperature: -30C-70C
- ◆ Operating Environment Humidity: 30%-50% (no condensation)
- ◆ Operating Environment Atmospheric Pressure: 700hpa-1060hpa
- ◆ Switching Speed: adjustable in 2-100 gears (corresponding to door opening time of 10-3s)
- ◆ Open Door Holding Time: 1-60 seconds
- ◆ Input Current: 6A
- ◆ Door opening Angle: 90
- ◆ Rated Power: 60W
- ◆ Static Power: 10W
- ◆ Motor: DC brushless all-in-one machine
- ◆ Magnetic Lock Withstands Pressure: 180kg

Features:

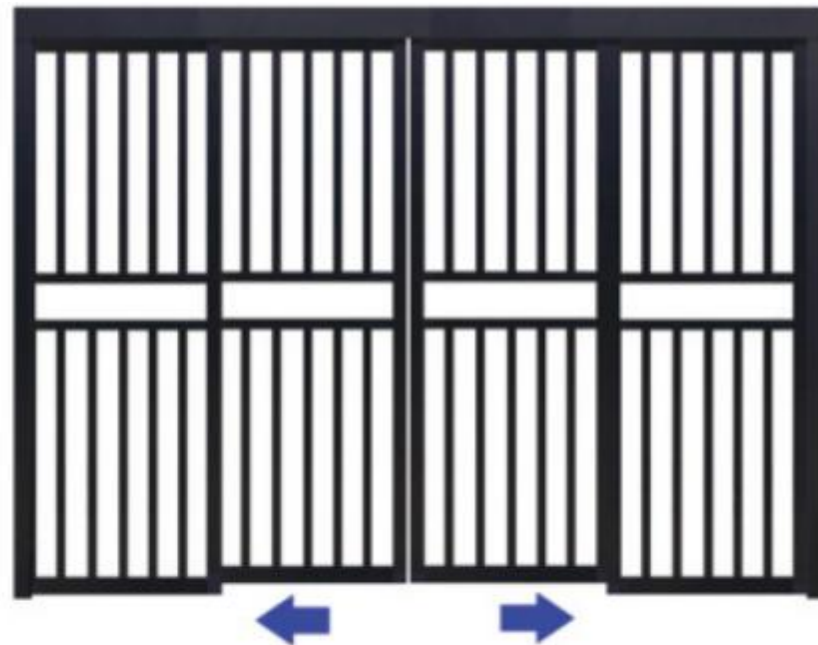
- ◆ The direction of the door opening is adjustable, the door opening and closing function have built-in rebound when encountering resistance, and the sensitivity is adjustable; external infrared and ultrasonic anti-pinch can be connected.
- ◆ Switch the door opening direction with one click, authorize the remote control with one click, and initialize the controller with one click. No professional technicians are required for installation and debugging.
- ◆ Industrial-grade controller design, surface three-proof paint treatment, moisture-proof and dust-proof, input and output circuits are protected by isolation circuits.
- ◆ Customized high-strength brushless motor, thickened and hardened gears, long service life, impact resistance, and good wind resistance
- ◆ The advertising paper is fixed with strong magnets, making it easy and fast to replace the advertising paper.
- ◆ Digital control, fine adjustment of deceleration, fast walking and slow stopping, smooth operation.
- ◆ Supports face recognition, fingerprint, card swiping, online attendance and other access control systems, with strong compatibility.
- ◆ Access control + advertising communication, the light box uses high-strength tempered glass and high-brightness LED light strips, and the lighting time can be freely set.

Sliding Gate



Fence Single Opening Sliding Gate
PYMZL001

Fence Double Channel Sliding Gate
PYMZL002



Fence Double Sliding Gate
PYMZL003

Features:

- ◆ Simple and elegant appearance, galvanized steel structure, strong and durable .
- ◆ Integrated brushless DC motor with long service life .
- ◆ Digital control, adjustable door opening speed.
- ◆ Go fast and stop slowly, running smoothly.
- ◆ It has built-in rebound when encountering resistance, and the sensitivity is adjustable .
- ◆ Can be externally connected to infrared and ultrasonic anti-pinch .
- ◆ Supports facial recognition, fingerprint, card swiping and other systems .

Features:

Working voltage: 220V+10%/50HZ
 Driving voltage: DC24V
 Environment Temperature: -30C-70C
 Environment Humidity: 30%-50% (no condensation)
 Opening Speed adjustable in time 3-10s
 Open Door Holding Time: 1-60 seconds
 Input Current: 6A
 Switching Times: more than 1 million times
 Protection Level: ip54



Advertising Single Sliding Gate
PYMGG001

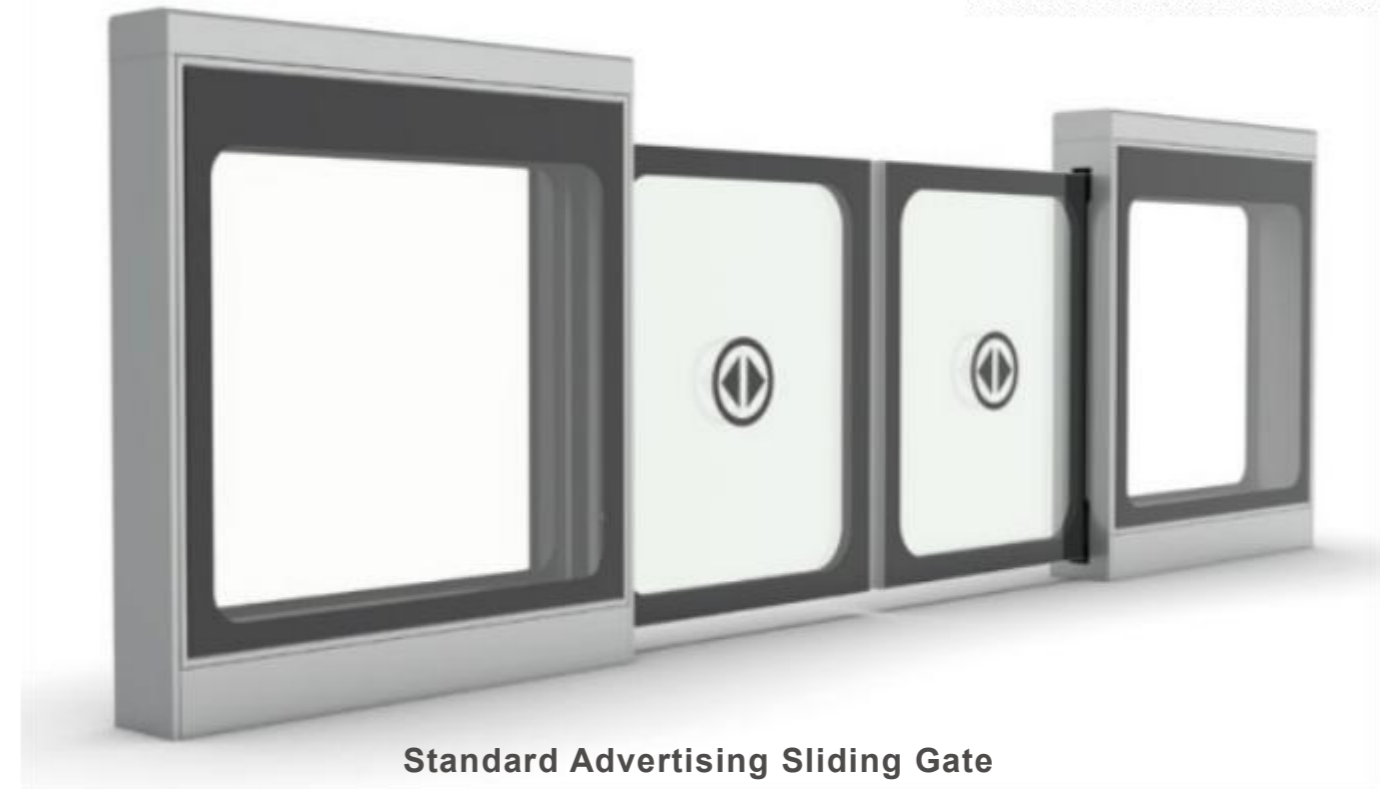


Advertising Double Channel Sliding Gate
PYMGG002



Advertising Double Sliding Gate
PYMGG003

Advertising Sliding Gate



Standard Advertising Sliding Gate
PBM001

Technical Parameters

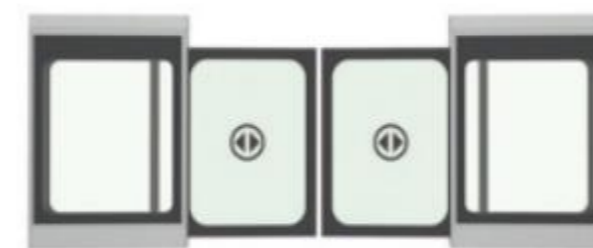
Working Voltage	220V+10%/50HZ
Input Voltage	DC24V
Environment Temperature	-30°C-70C
Environment Humidity	30%-50%
Rated Power	100W
Net Opening	850mm
Door Size	1110*190*1265mm
Opening Speed	2.5s-4s (Adjustable)

Features:

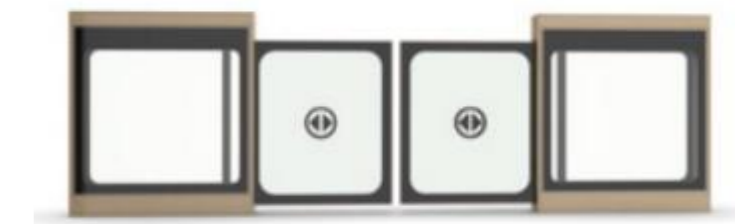
- ◆ Flexible appearance design, careful processing
- ◆ Standard infrared sensor anti-pinch
- ◆ Comes with rebound function when encountering obstacles
- ◆ Simple installation and debugging, no professional technicians required
- ◆ High-precision transmission, long service life and low failure rate
- ◆ Supports various access control systems such as face recognition and card swiping
- ◆ Equipped with automatic protection functions such as overcurrent and overvoltage
- ◆ Suitable for transportation platforms, airports, schools, factories



Advertising Sliding Gate Extended Style



Advertising Sliding Gate Extra Height



Standard Advertising Sliding Gate (front)